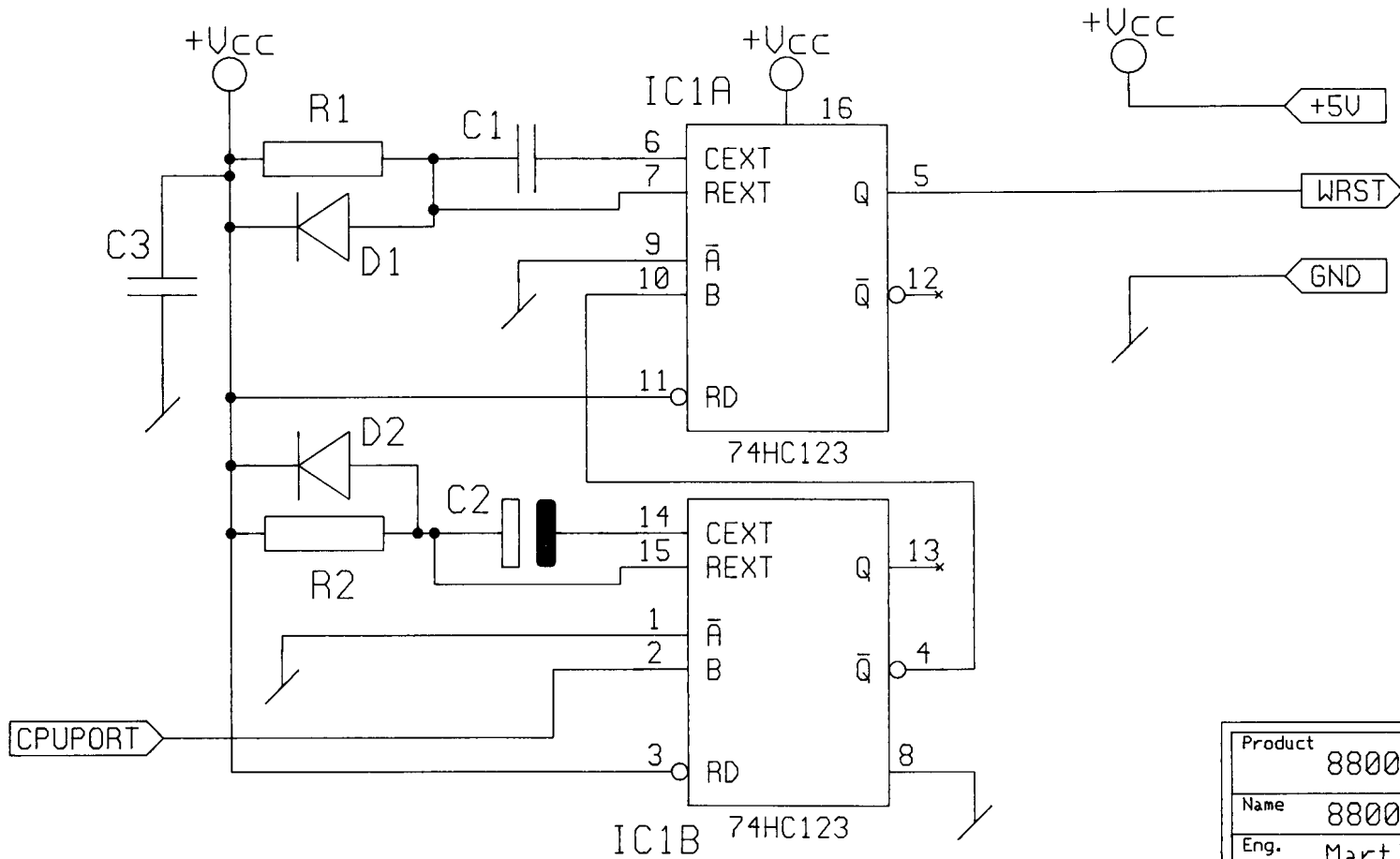
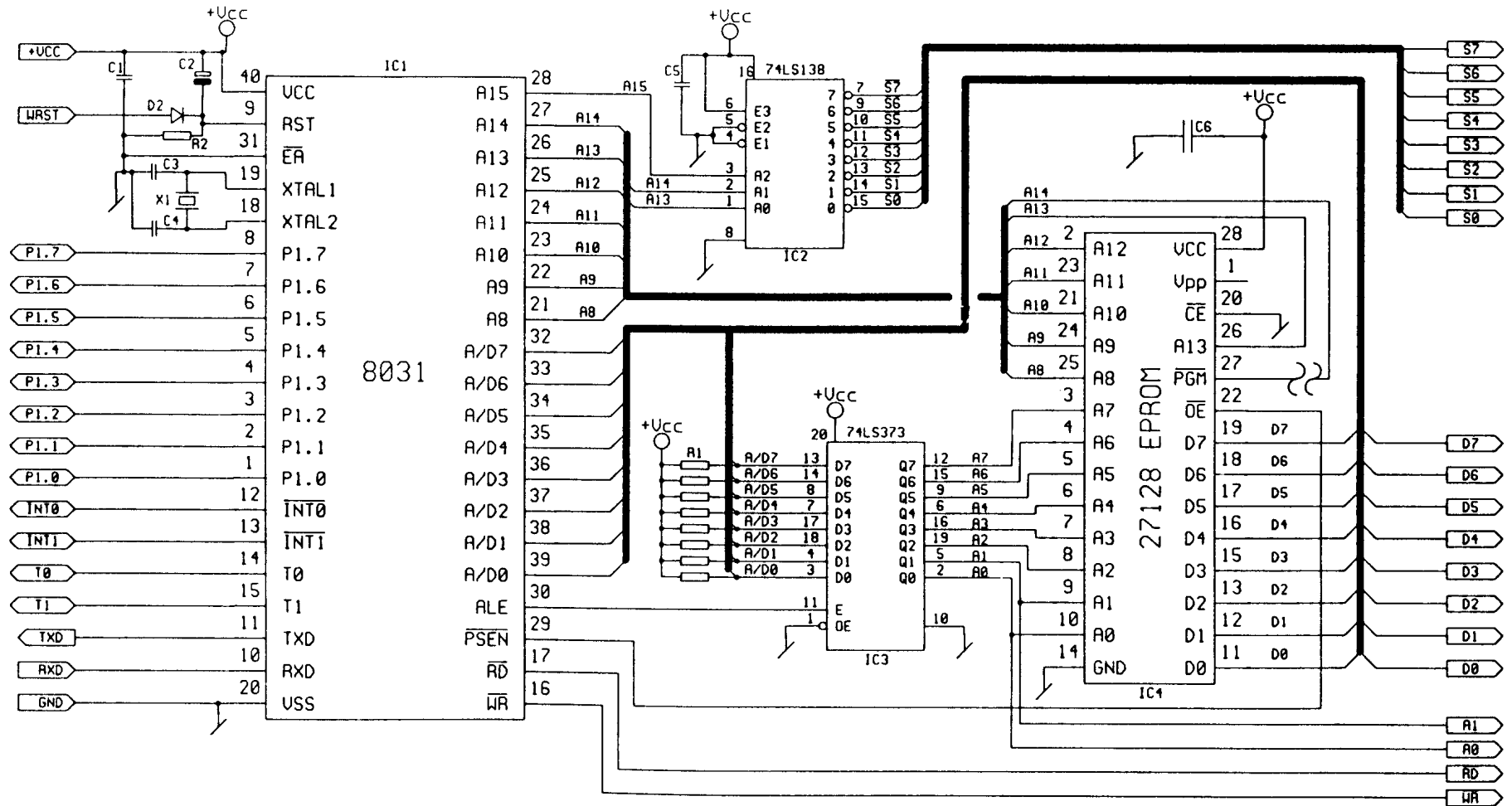


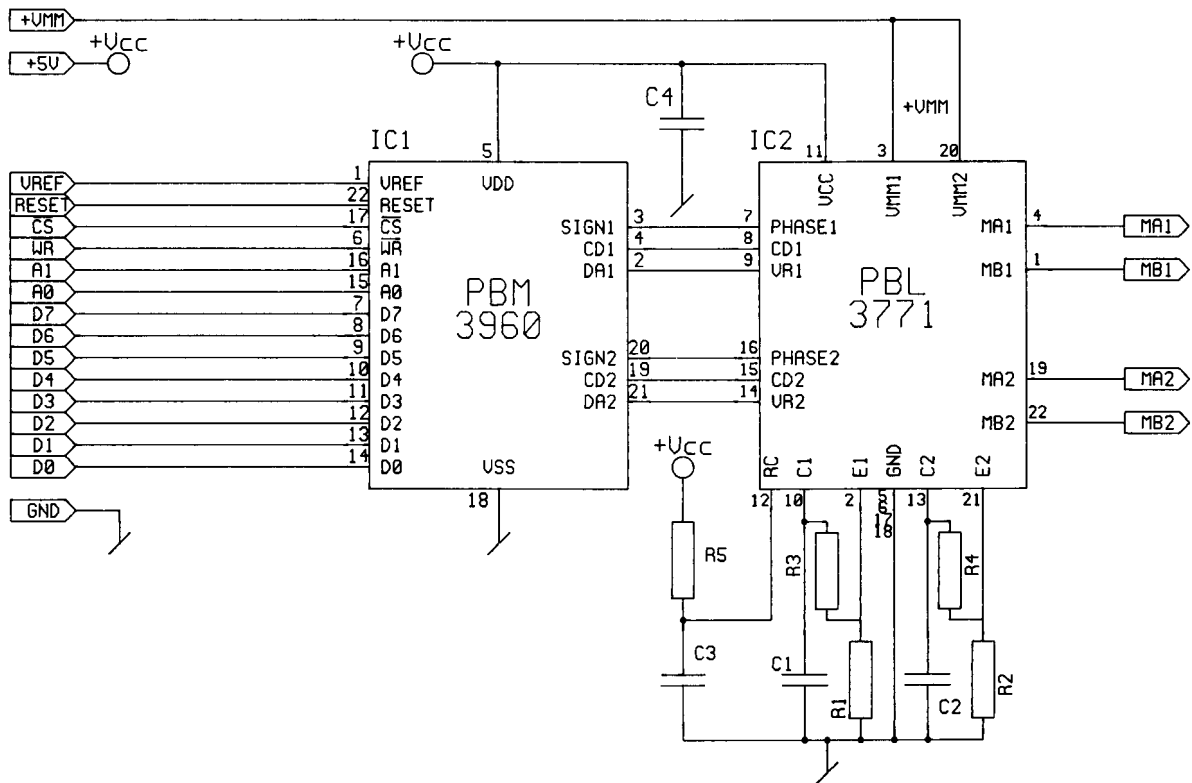
Product		ROBOSCAN		MICROSTEPPER	
Name		1020A.SCH			
Eng.		Martin Professional		sign	
Number		92011003	page		
Replaces		91022302	Replaced by		



Product		
880001, Watch Dog		
Name		
880001.SYM		
Eng.		sign
Martin Professional		
Number	page	of
93040201	1	1
Replacing		Replaced by

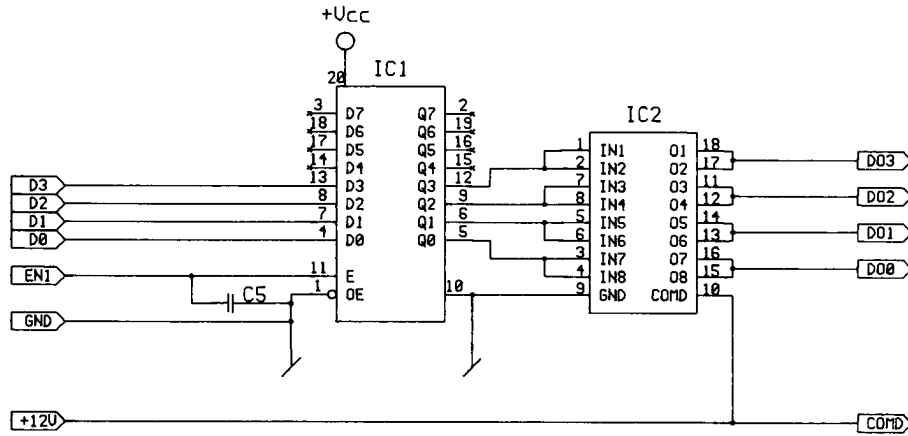


Product		
8031 CPU EPROM/LATCH/DECODER		
Name	8031ELD.SYM	880020
Eng.	Martin Professional	sign
Number	89091801	page of
Replacing	Replaced by	

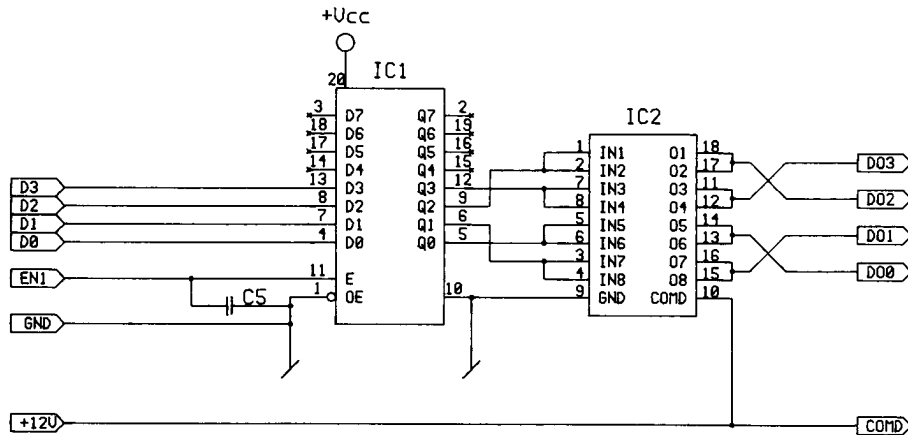


Product 880010, Stepmotor Driver (Microstepping)		
Name 880010.SYM		
Eng. Martin Professional	sign	
Number 93040201	page 1	of 1
Replacing	Replaced by	

A



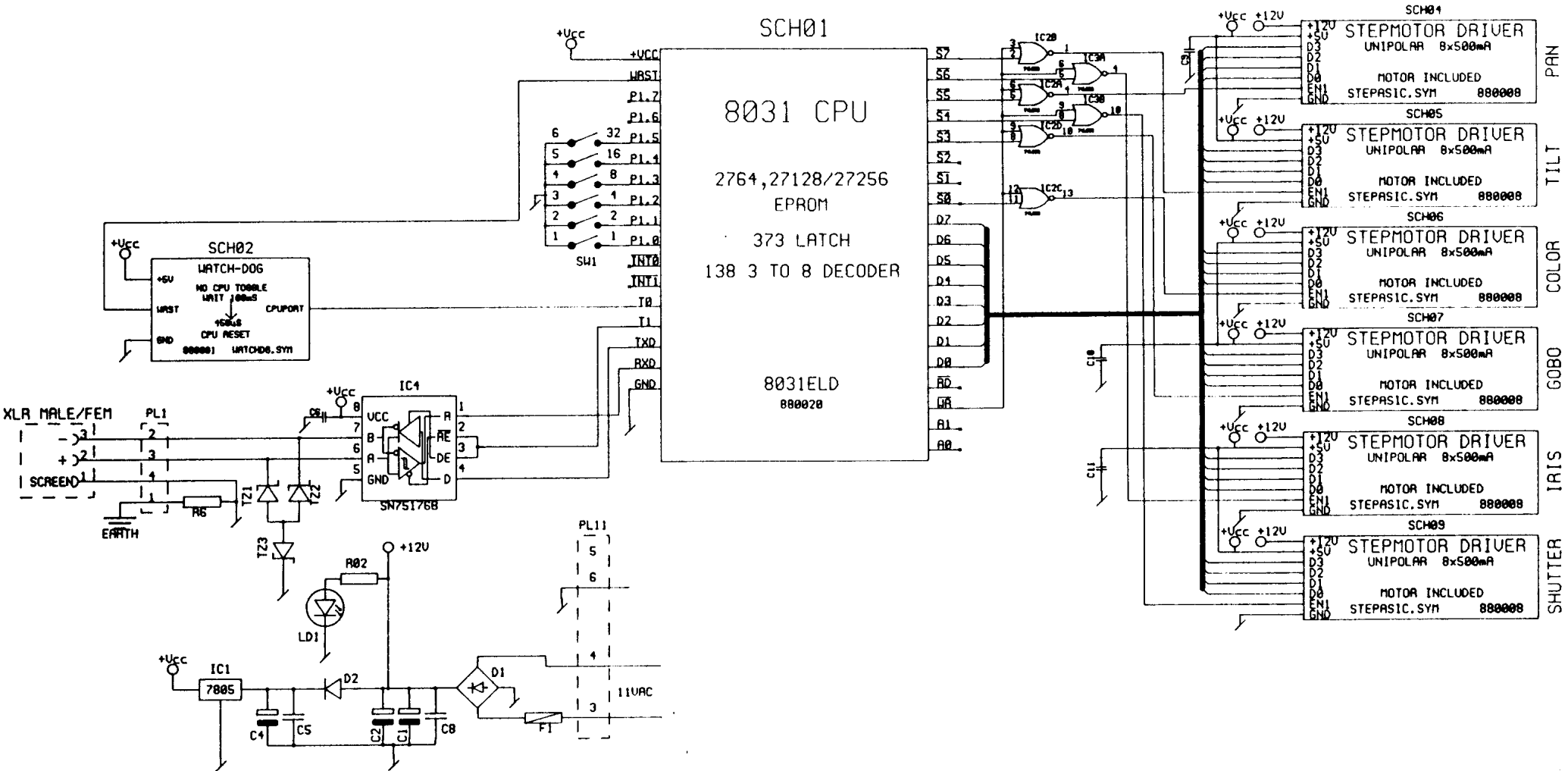
B



A) PAN + TILT + SHUTTER (TEXT ON PCB)

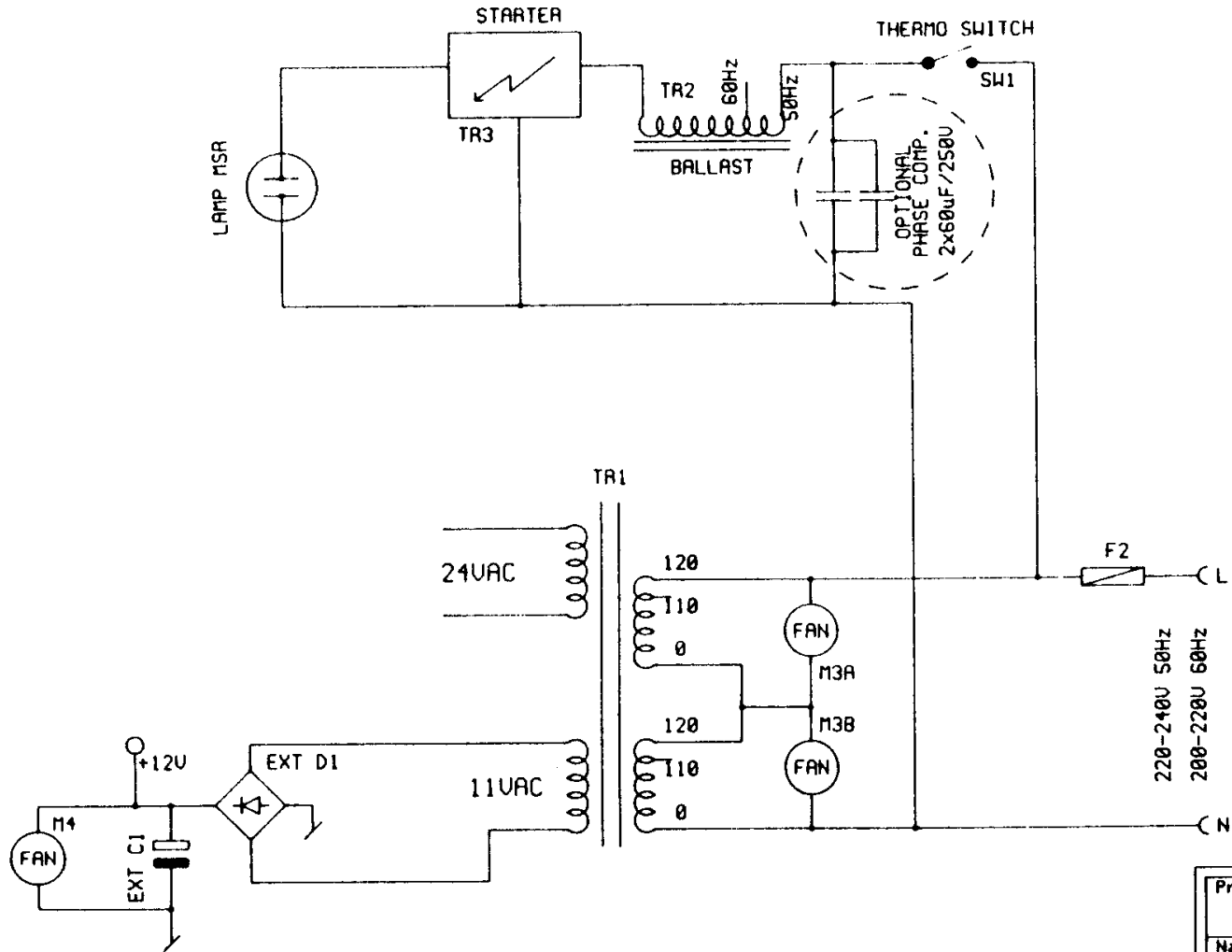
B) COLOR + GOBO + IRIS (TEXT ON PCB)

Product 880008, Stepmotor Driver		
Name 880008.SYM		
Eng. Martin Professional	sign	
Number 93040201	page 1	of 1
Replacing	Replaced by	



PAN
TILT
COLOR
GOGO
IRIS
SHUTTER

Product	ROBOSCAN		STANDARD
			1020
Name	1020B.SCH		
Eng.	Martin Professional		sign
Number	92021103	page	of
Replacing	91022402	Replaced by	



Product	ROBOSCAN 1020 POWER SUPPLY	
Name	1020PSU.SCH	
Eng.	Martin Professional	sign
Number	92011201	page of
Replacing	Replaced by	